

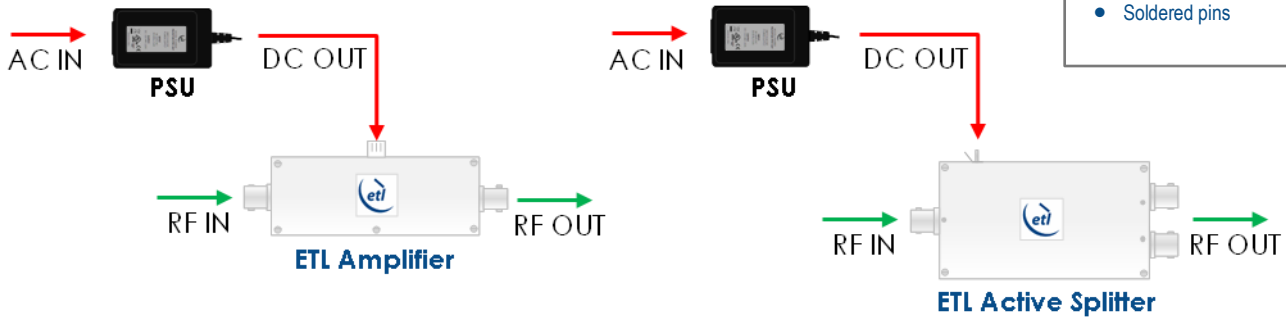
Switch Mode PSU

- Input range of 100 - 240V (AC)
- Fixed output of 12V
- 1.25A max permissible load

Supplied with IIEC input & available with either:

- 3-pin molex connector
- Soldered pins

Typical Applications



Power Supply

Features

- Over-output voltage protection – unit powers down if output exceeds 15-18V
- EN55022B standard, CE and CUL marked, lead-free
- Short-circuit protection – unit powers down and restarts if short-circuited
- Can power multiple units (max total current not to exceed 1.25A)

Specifications and max operating parameters for safe and reliable operation

Parameter	Value	Comment
Input voltage range	100-240V (AC) (90-264VAC max)	50-60Hz (47-63Hz Max)
Max input current	0.6A	RMS Max
Max current load	1.25A	
Operating temperature	0 to +40°C	Indoor use only
Storage Temperature	-20°C to +80°C	
Humidity	10% to 90%	Non-condensing

Broadcast



Marine Oil & Gas



SNG & VSAT



Satellite Teleport



We are pleased to offer the following options for customisation of our power supplies to best meet our customer requirements

Option 1-ML2

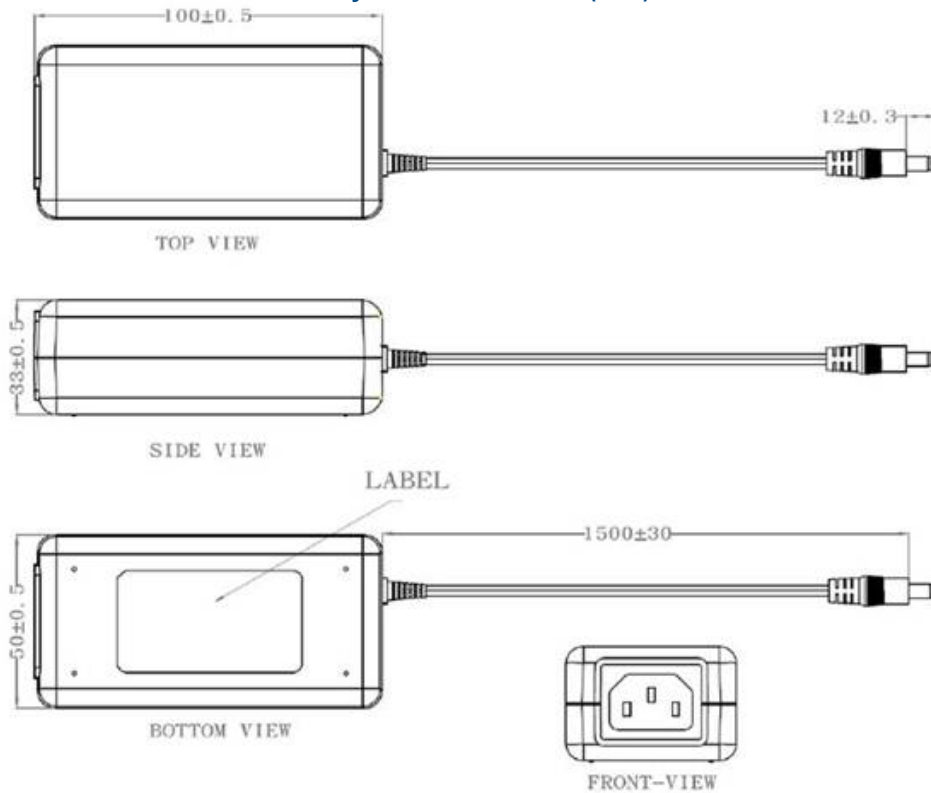
Supplied with Female Molex connector on the PSU output.

Option 2- CABMLX-1500-M

Male Molex cable assembly supplied with the Male plug on a 1M length of cable.

For more cable assemblies visit the accessories section on the ETL website www.etlsystems.com

Physical Dimensions (mm)



PSU range available			
Model Number	Input	Output	Other
PSU12F125-9701-SLP	100-240V (AC), 0.6A	12V (DC), 1.25A	Solder pin output (Red sleeve = Positive)
PSU12F125-9701-ML2	100-240V (AC), 0.6A	12V (DC), 1.25A	Female 3 pin Molex socket
PSU120V02-9702-SLP	100-240V (AC), 1.2A	12V to 24V (DC), 5A	Solder pin output (Red sleeve = Positive)
PSU120V02-9702-ML2	100-240V (AC), 1.2A	12V to 24V(DC) 5A	Female 3 pin Molex socket
PSU48F150-9703-SLP	100-240V (AC), 2.5A	48V (DC), 3.13A	Solder pin output (Red sleeve = Positive)
PSU48F150-9703-ML2	100-240V (AC), 2.5A	48V (DC), 3.13A	Female 3 pin Molex socket

Note: The specification is subject to regular reviews and will be updated from time to time as part of our continuing product development and improved specification accuracy.

ETL SYSTEMS LIMITED
Coldwell Radio Station
Madley
Hereford
England HR2 9NE

TELEPHONE
+44 (0)1981 259020

EMAIL
info@etlsystems.com

FACSIMILE
+44 (0)1981 259021

WEB
www.etlsystems.com

